

Type 1, 3, & 3R Enclosures

Junction Boxes Type 3R Hinge Cover Data Sheet and Catalog Number

Type 1, 3, & 3R Enclosures



Application

- Used as wiring boxes, junction and pull boxes
- Protects against falling rain, sleet and external ice formation

Standards

- UL 50 listed, Type 3R
- CSA C22.2 No. 40 certified, Type 3R
- Conforms to NEMA standard for Type 3R

Finish

- Wash and phosphate undercoat
- ANSI 61 gray acrylic electrocoat finish

Accessories

- Touch-up paint
- See Accessories section

Construction

- Enclosure and door are fabricated from code gauge galvaneal steel, (see table)
- Enclosure body has embossed mounting holes on the back
- Available with or without knockouts on the bottom end of enclosures less than 30 inches wide
- Cover is secured to the top end with galvanized, detachable formed hinges on sizes up to and including 24188
- Cover can be held in the open position by sliding it into notches on body
- Cover has padlock hasp and sealing hole provisions at the bottom

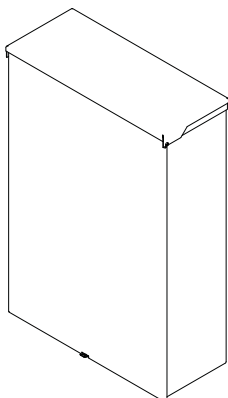
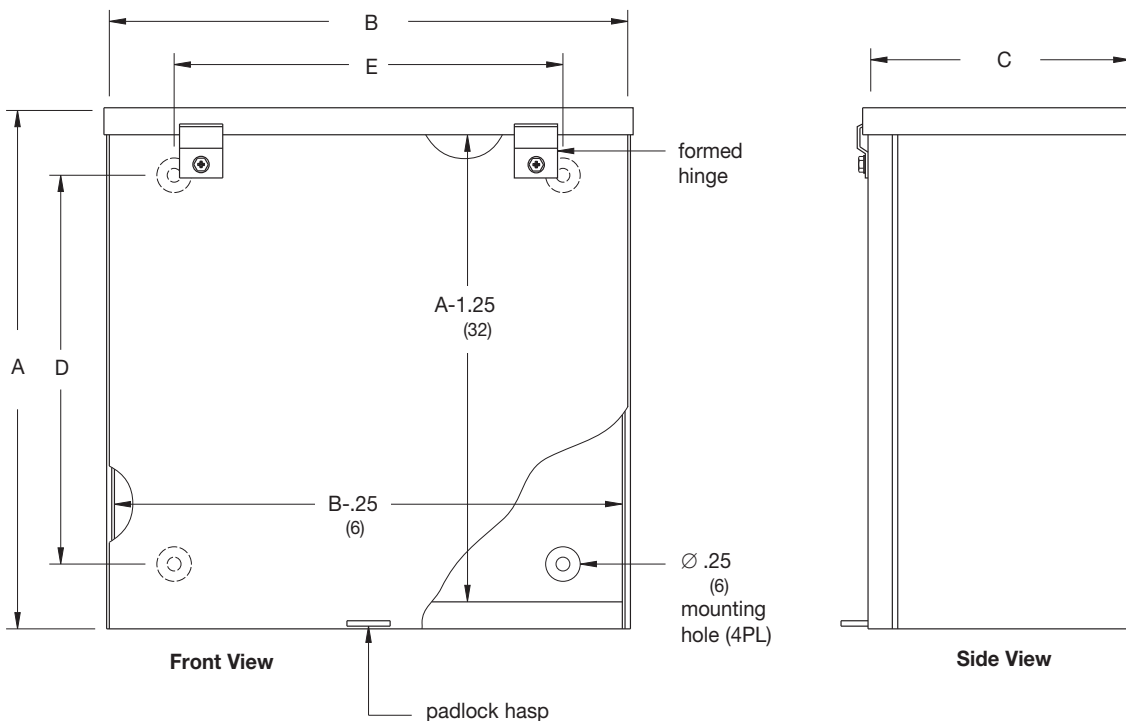
Discount Schedule: A2

Subclass: ATO

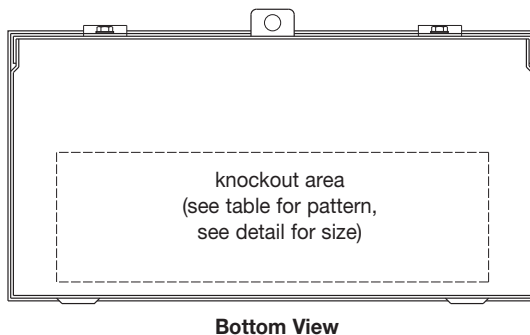
Enclosure Catalog Number		Enclosure Size				D	E	Gauge	Knockout Pattern			
KO	No KO	Height x Width x Depth		A x B x C	in.					mm	in.	mm
		in.	mm									
644 RTHC	644 RTHC NK	6.00 x 4.00 x 4.00	152 x 102 x 102	3.00	76	2.00	51	16	(C D)			
664 RTHC	664 RTHC NK	6.00 x 6.00 x 4.00	152 x 152 x 102	3.00	76	4.00	102	16	(C D E)			
864 RTHC	864 RTHC NK	8.00 x 6.00 x 4.00	203 x 152 x 102	5.00	127	4.00	102	16	(C D E)			
884 RTHC	884 RTHC NK	8.00 x 8.00 x 4.00	203 x 203 x 102	5.00	127	5.00	127	16	(G H I J)			
10104 RTHC	10104 RTHC NK	10.00 x 10.00 x 4.00	254 x 254 x 102	7.00	178	6.50	165	16	(D E F G H)			
12124 RTHC	12124 RTHC NK	12.00 x 12.00 x 4.00	305 x 305 x 102	9.00	229	8.50	216	16	(D E F G H)			
1286 RTHC	1286 RTHC NK	12.00 x 8.00 x 6.00	305 x 203 x 152	9.00	229	5.00	127	16	(G H I J)			
12106 RTHC	12106 RTHC NK	12.00 x 10.00 x 6.00	305 x 254 x 152	9.00	229	6.50	165	16	(D E F G H)			
12126 RTHC	12126 RTHC NK	12.00 x 12.00 x 6.00	305 x 305 x 152	9.00	229	8.50	216	16	(D E F G H)			
18126 RTHC	18126 RTHC NK	18.00 x 12.00 x 6.00	457 x 305 x 152	15.00	381	8.50	216	16	(D E F G H)			
12128 RTHC	12128 RTHC NK	12.00 x 12.00 x 8.00	305 x 305 x 203	9.00	229	8.50	216	16	(D E F G H)			
18188 RTHC	18188 RTHC NK	18.00 x 18.00 x 8.00	457 x 457 x 203	15.00	381	14.50	368	16	(B C D E F G H I J)			
24188 RTHC	24188 RTHC NK	24.00 x 18.00 x 8.00	610 x 457 x 203	21.00	533	14.50	368	16	(B C D E F G H I J)			
24248 RTHC	24248 RTHC NK	24.00 x 24.00 x 8.00	610 x 610 x 203	21.00	533	19.50	495	14	(B C D E F G H I J)			
242410 RTHC	242410 RTHC NK	24.00 x 24.00 x 10.00	610 x 610 x 254	21.00	533	20.00	508	14	(B C D E F G H I J)			
362410 RTHC	362410 RTHC NK	36.00 x 24.00 x 10.00	914 x 610 x 254	33.00	838	20.00	508	14	(B C D E F G H I J)			
-	363012 RTHC NK	36.00 x 30.00 x 12.00	914 x 762 x 305	33.00	838	26.00	508	12	--			

Notes: Cooper B-Line can provide special sizes, finishes and other modifications. Consult the factory for your special requirements. Dimensions are in inches. Millimeters shown are for reference only. Data subject to change without notice.

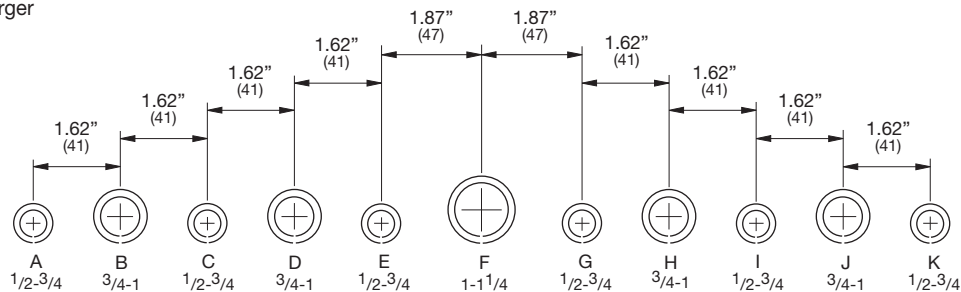
Junction Boxes Type 3R Hinge Cover Illustration Sheet



Cover Style on 24248 and larger



Bottom View



Conduit Sizes

Knockout Detail

Note: See table for applicable knockout pattern.

Notes: Dimensions are in inches. Millimeters shown are for reference only. Data subject to change without notice.